

(PE19NSX)

# MX10p 19Inch Mono Diaplay

## i Main Features

- 1,280 x 1,024 resolution
- 1,000 cd/m<sup>2</sup> Brightness
- Factory Calibrated DICOM
- 10-bit LUT

## i Display Performance

Screen Size	19.0"
Viewable Image Size	376.32 x 301.06 mm
Display Resolution	1,280 x 1,024 Pixels
Brightness	1,000 cd/m <sup>2</sup>
Contrast Ratio	1,000:1
Viewing Angle	85° / 85° / 85° / 85° (U/D/L/R)
Input Signal	DVI-D, VGA Analog, SOG(BNC), Composite Video, S-Video
Output Signal	VGA Analog, SOG(BNC)
Control Key	Touch button
Power Supply	In: AC 100~240, 60Hz/50Hz Out : DC 12V
Power Consumption	35W
Power Save Mode	5W
Backlight System	LED
Lamp Lifetime	50,000 hours (50% of initial Lum.)
Dimension	436.5(H) x 455.5(W) x 200.0(D) mm
Weight	8.0 kg (with stand)

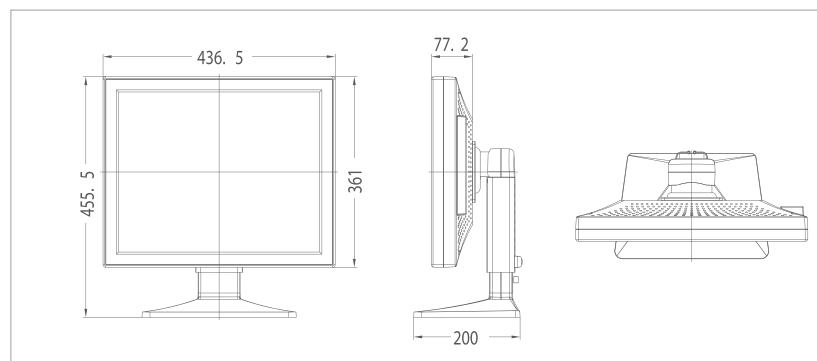
## i Environmental Consideration

Temperature	Operating : 0°C ~ 40°C
	Storage : -20°C ~ 60°C
Humidity	Operating : 10% ~ 80%
EMC	CE, FCC Class B, VCCI Class B, KC, CCC
Safety	CE EN60601-1 3 <sup>rd</sup> Edition
	CB IEC60601-1 3 <sup>rd</sup> Edition
	UL

Specifications and features are subject to change without notice. Images shown are for illustrative purpose only. All products names are trademarks or registered trademarks of WIDE Corp. This document is copyrighted. Neither this document, nor any part of it, may be reproduced or copied without written permission of WIDE Corp. | Created in Korea. 2019. 10. Ver 1.2 ©MARKSMARKS.NL10-2014



## i Product dimension



**WIDE Corporation** 15F, The First Tower III, 602, Dongtangiheung-ro, Hwaseong-si, Gyeonggi-do, 18469, Korea Tel: +82 (0)31 218 1600 Fax: +82 (0)31 375 9600 info@widecorp.com **WIDE USA Corporation** 2210 E. Winston Road, Anaheim, CA 92806, USA Tel: +1-714-300-0540 infousa@widecorp.com **WIDE EUROPE** Industriestrasse 38a 63150 Heusenstamm, Germany Tel: +49 6104 64398 0 Fax: +49 6104 64398 11 infoeu@widecorp.com **WIDE JAPAN** Shinjuku Suzuki Bldg A 1-6-8 Shinjuku, Shinjuku-Ku, Tokyo 160-0022, Japan Tel: +81-3-6457-8371 Fax: +81-3-6457-8372 infojapan@widecorp.com **WIDE ASIA** 15F, The First Tower III, 602, Dongtangiheung-ro, Hwaseong-si, Gyeonggi-do, 18469, Korea Tel: +82 (0)31 218 1670 Fax: +82 (0)31 375 9600 infoasia@widecorp.com **Foreseeson Custom Displays, Inc.** 2210 E. Winston Road Anaheim, CA 92806 USA Tel: +1 714 300 0540 Fax: +1-714-300 0546 **Foreseeson GmbH** Industriestrasse 38a 63150 Heusenstamm, Germany Tel: +49 6104 64398 0 Fax: +49 6104 64398 11 sales@fsnmed.eu **Foreseeson UK Ltd.** Unit 2 Kingsmill Business Park Chapel Mill Road Kingston upon Thames Surrey KT1 3GZ Tel: +44 208 546 1047 Fax: +44 208 546 3931 sales@fsnmed.eu