



MX30N 21.3" Mono Display

(MX30TQS)

i Main Features

- 1536x2048
- 2,000cd/m²
- Embedded IQ Sensor®
- DisplayPort & DVI

i Display Performance

Screen Size	21.3"
Viewable Image Size	433.15(H) x 324.86(V)mm
Display Resolution	1536(H) x 2048(V) Pixels
Brightness	2,000 cd/m ²
Contrast Ratio	1500:1
Viewing Angle	89° / 89° / 89° / 89° (U/D/L/R)
Input Signal	DVI-I, Display Port
Control Key	Tact button
Power Supply	AC Input : 100-240Volt±10% 60Hz/50Hz±3Hz DC Output : +24V
Power Consumption	50W
Power Save Mode	2W
Backlight System	LED
Built-in Sensors	IQ Sensor 3 rd , SBC, DAC
Dimension	366.0mm(W)x518.8mm(H)x248.8mm(D)
Weight	10.1Kg(22.27lb) with Stand
Options	Protective Glass

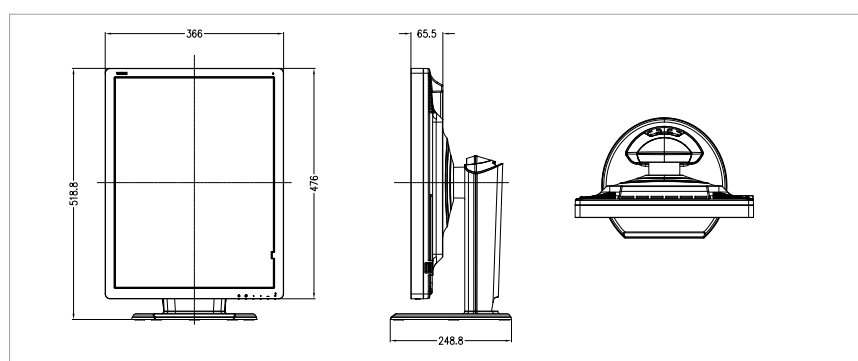


i Environmental Consideration

Temperature	Operating : 0°C ~ 40°C
	Storage : -20°C ~ 60°C
Humidity	Operating : 10% ~ 80%
Certifications and Standards	ANSI/AAMI ES 60601-1, EN60601-1, IEC60601-1, CE, VCCI, KC, C-Tick, FCC

Specifications and features are subject to change without notice. Images shown are for illustrative purpose only. All products names are trademarks or registered trademarks of WIDE Corp. This document is copyrighted. Neither this document, nor any part of it, may be reproduced or copied without written permission of WIDE Corp. | Created in Korea. 2020. 12. Ver 2.0.0 ©MARKSMARKS.NL10-2020

i Product dimension



WIDE Corporation 15F, The First Tower III, 602, Dongtangiheung-ro, Hwaseong-si, Gyeonggi-do, 18469, Korea Tel: +82-31-218-1600 Fax: +82-31-375-9600 info@widecorp.com WIDE USA Corporation 2210 E. Winston Road, Anaheim, CA 92806, USA Tel: +1-714-300-0540 infousa@widecorp.com WIDE EUROPE Industriestrasse 38a 63150 Heusenstamm, Germany Tel: +49 6104 64398 0 Fax: +49 6104 64398 11 infoeu@widecorp.com WIDE JAPAN Shinjuku Suzuki Bldg A 1-6-8 Shinjuku, Shinjuku-Ku, Tokyo160-0022, Japan Tel : +81-3-6457-8371 Fax : +81-3-6457-8372 infojapan@widecorp.com WIDE ASIA 15F, The First Tower III, 602, Dongtangiheung-ro, Hwaseong-si, Gyeonggi-do, 18469, Korea Tel: +82-31-218-1670 Fax: +82-31-375-9600 infoasia@widecorp.com Foreseeson Custom Displays, Inc. 2210 E. Winston Road Anaheim, CA 92806 USA Tel: +1 714 300 0540 Fax: +1-714-300 0546 Foreseeson GmbH Industriestrasse 38a 63150 Heusenstamm, Germany Tel: +49 6104 64398 0 Fax: +49 6104 64398 11 sales@fsnmed.eu Foreseeson UK Ltd. Unit 2 Kingsmill Business Park Chapel Mill Road Kingston upon Thames Surrey KT1 3GZ Tel: +44 208 546 1047 Fax: +44 208 546 3931 sales@fsnmed.eu